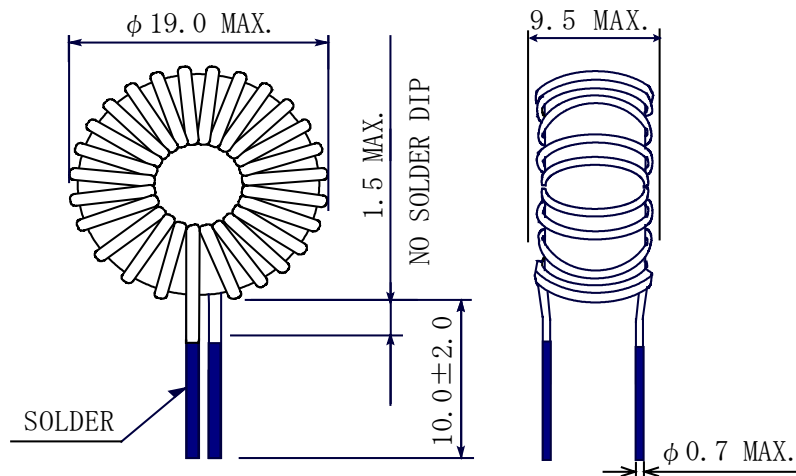


Type: PFN0818
◆ Product Description

- ϕ 19.0mm \times 9.5mm.MAX.
- Inductance range: 21 μ H \sim 60 μ H; Rated current range:2.6A \sim 3.7A
- In addition to the standard versions of parameters shown here, custom designs are available to meet your exact requirements.


◆ Feature

- Iron dust core is used to realize better DC saturation characteristics and higher noise absorption effect and less leakage magnetic flux and core groan by using toroidal core.
- Ideally used in EMI for power line and signal line for various kinds of electric equipment as line filters for input or switching power supply, noise prevention in thyristor such as SCR and triac, for DC spike noise suppression,immunity for automotive related electric device,for home electric device with microcomputer.
- Can also be used as power factor correction chokes.
- RoHs Compliance

◆ Dimensions (mm)


* Dimension does not include solder used on coil.

◆ Specification

PART NO.	Inductance (μ H) [MIN.] At 1kHz	D.C.R.(m Ω) [MAX.] (at20 $^{\circ}$ C)	Impedance [MIN.]			Rated Current (A) \times 1
			①	②	③	
PFN0818NP-NM30A	21	41	770 Ω a t 7MHz	1170 Ω a t 10MHz	940 Ω a t 20MHz	3.7
PFN0818NP-NM41A	39	57	740 Ω a t 3MHz	1560 Ω a t 5MHz	1340 Ω a t 10MHz	3.1
PFN0818NP-NM51A	60	71	1400 Ω a t 3MHz	2480 Ω a t 4MHz	2680 Ω a t 6MHz	2.6

\times 1. Rated current: The DC current at which the temperature rise is $\Delta t=40^{\circ}$ C.($T_a=20^{\circ}$ C).